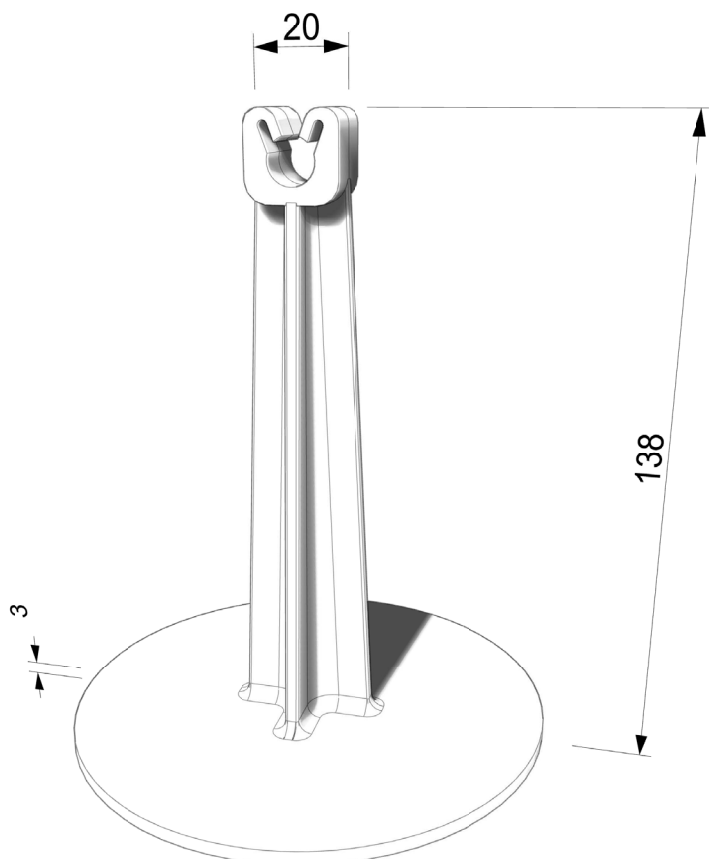


Lightning conductor holder TOPWET TW HR / TW HR MANŽETA

BASIC INFORMATION

purpose	a holder for lightning conductor fixing on flat roofs, possibility of supplying with a cut-out part sleeves from mPVC foil
material	polyethylene – MAKROSTAB UV 2002/LDPE IT 20
manufacturer	TOPWET s.r.o., náměstí Viléma Mrštíka 62, 664 81 Ostrovačice, Czech Republic

TECHNICAL PARAMETERS



Lightning conductor holder

Type	Conductor height [mm]
TW HR 10	120
TW HR 12	120
TW HR 10 MANŽETA	120
TW HR 12 MANŽETA	120