

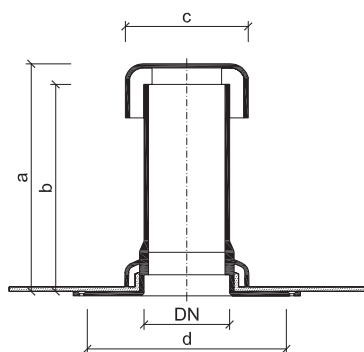
Roof vents TOPWET TWO



BASIC INFORMATION

purpose	flat roof ventilation
integrated connection sleeve	BIT – modified bitumen strip SBS, PVC – mPVC based foil, TPO – thermoplastic (flexible) polyolefin, EPDM – synthetic rubber foil, PE – polyethylene foil, STE – a sleeve for connecting of waterproofing screed
colour	white
manufacturer	TOPWET s.r.o., náměstí Viléma Mrštíka 62, 664 81 Ostrovačice, Czech Republic

TECHNICAL PARAMETERS



Roof vents

Type	DN	Cross section [cm ²]	Dimensions [mm]			
			a*	b*	c	d
TWO 50	50	15	360	332	110	250
TWO 75	70	37	360	332	110	250
TWO 110	100	85	360	332	160	250
TWO 125	125	111	360	332	160	250

* upon order it is possible to extend up to 2,000 mm