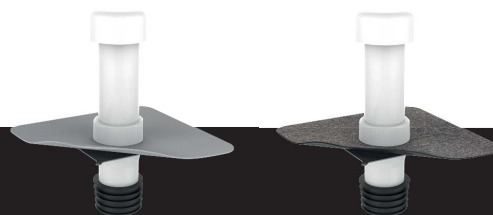


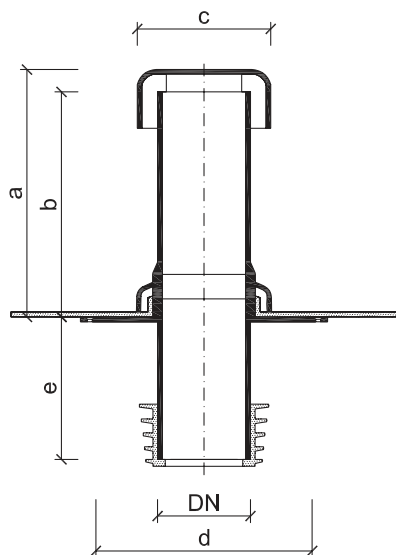
### Refurbishment ventilation TOPWET TWOP SAN



#### BASIC INFORMATION

purpose	ventilation of flat roofs with connection to the original piping
material	polyamide PA6 / PVC – UV Stabil, refurbishment seal – EPDM
integrated connection sleeve	BIT – modified bitumen strip SBS, PVC – mPVC based foil, TPO – thermoplastic (flexible) polyolefin, EPDM – synthetic rubber foil, PE – polyethylene foil, STE – a sleeve for connecting of waterproofing screed
colour	white, black
manufacturer	TOPWET s.r.o., náměstí Viléma Mrštíka 62, 664 81 Ostrovačice, Czech Republic

#### TECHNICAL PARAMETERS



#### Refurbishment ventilation

Type	For connection to piping of diameter [mm]	DN	Dimensions [mm]						
			a	b*	c	d	e**	f	g
TWOP SAN 50	54-72	50	360	332	110	250x250	200	60	56
TWOP SAN 75	79-102	70	360	332	110	250x250	200	60	81
TWOP SAN 90	99-106	90	360	332	160	250x250	200	60	96
TWOP SAN 110	116-129	110	360	332	160	250x250	200	60	116
TWOP SAN 125	144-154	125	360	332	160	250x250	200	60	131
TWOP SAN 160	186-200	150	510	271	260	345x345	300	-	160

\* upon order it is possible to extend up to 500 mm

\*\* upon order it is possible to extend up to 1,000 mm