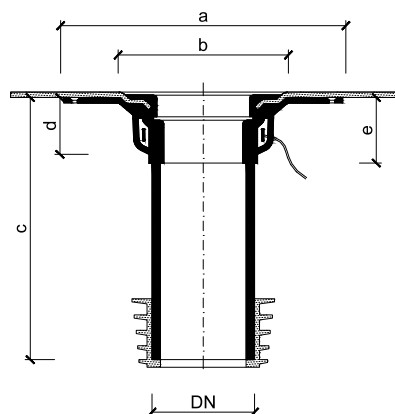


### Heated refurbishment outlets TOPWET TWE SAN

#### BASIC INFORMATION

purpose	flat roof drainage with connection to the original outlet or pipe without a neck with electric heating
material	outlet body – polyamide PA6, protective basket – polyamide PA6, refurbishment seal – EPDM
integrated connection sleeve	BIT – modified bitumen strip SBS, PVC – mPVC based foil, TPO – thermoplastic (flexible) polyolefin, EPDM – synthetic rubber foil, PE – polyethylene foil, STE – a sleeve for connecting of waterproofing screed
colour	grey
load category	H 1,5
certification	EN 1253-2:2015 - Gullies for buildings - Part 2: Roof drains and floor gullies without trap
manufacturer	TOPWET s.r.o., náměstí Viléma Mrštíka 62, 664 81 Ostrovačice, Czech Republic
documents (name, number, date, issued by – name and address)	Bescheinigung Nr. 7313208z from 8. 5. 2014, issued by TÜV Rheinland LGA Products GmbH, Dreikronenstraße 31, 97082 Würzburg

#### TECHNICAL PARAMETERS



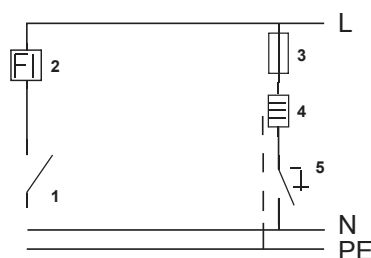
#### Heated refurbishment outlets for heat-insulated roofs

Type	For connection to piping of diameter [mm]	DN	Dimensions [mm]				
			a	b	c*	d	e
TWE SAN 50	54-72	50	330	220	400	80	90
TWE SAN 63	69-81	63	330	220	400	80	90
TWE SAN 75	79-102	70	330	220	400	80	90
TWE SAN 90	99-106	90	330	220	400	75	90
TWE SAN 100	106-116	100	330	220	400	80	90
TWE SAN 110	116-129	100	330	220	400	80	90
TWE SAN 125	144-154	125	330	220	400	80	90
TWE SAN 140	154-186	140	330	220	400	80	90
TWE SAN 160	186-200	150	342	265	400	90	120

\* upon order it is possible to extend up to 1,500 mm

#### HEATING PARAMETERS

- Connection is made in the electrical box under the roof structure
- The supply cable length for the outlet is 1,5 m (kabel CYKY 3x1,5 mm)
- Wiring connection: yellow and green – guard black – phase, blue – neutral
- Alternating voltage: 230 V, 50 Hz
- Input: variable, according to the ambient temperature, approx: 10 W at 20°C / 14 W at 0°C / 18 W at -20°C
- Max. current surge: 400 mA
- Enclosure rating: IP 67



- 1 – main switch
- 2 – current protection
- 3 – circuit breaker
- 4 – roof outlet
- 5 – thermostat or switch
- L – phase (black)
- N – neutral (blue)
- PE – guard (green and yellow)