

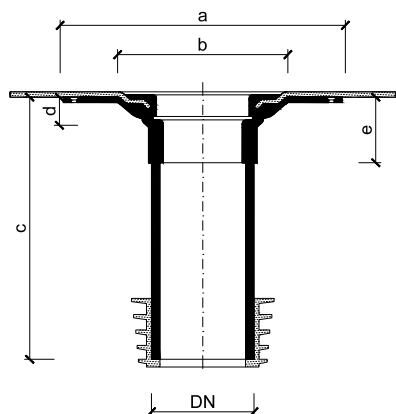


Refurbishment outlets TOPWET TW SAN

BASIC INFORMATION

purpose	for drainage of flat roofs with connection to the original outlet or pipe without a neck
material	outlet body – polyamide PA6, protective basket – polyamide PA6, refurbishment seal – EPDM
integrated connection sleeve	BIT – modified bitumen strip SBS, PVC – mPVC based foil, TPO – thermoplastic (flexible) polyolefin, EPDM – synthetic rubber foil, PE – polyethylene foil, STE – a sleeve for connecting of waterproofing screed
colour	grey
load category	H 1,5
certification	EN 1253-2:2015 - Gullies for buildings - Part 2: Roof drains and floor gullies without trap
manufacturer	TOPWET s.r.o., náměstí Viléma Mrštíka 62, 664 81 Ostrovačice, Czech Republic
documents (name, number, date, issued by – name and address)	Bescheinigung Nr. 7313208z from 8. 5. 2014, issued by TÜV Rheinland LGA Products GmbH, Dreikronenstraße 31, 97082 Würzburg

TECHNICAL PARAMETERS



Refurbishment outlets for heated roofs

Type	For connection to piping of diameter [mm]	DN	Dimensions [mm]				
			a	b	c*	d	e
TW SAN 50	54-72	50	330	220	400	40	90
TW SAN 63	69-81	63	330	220	400	40	90
TW SAN 75	79-102	70	330	220	400	40	90
TW SAN 90	99-106	90	330	220	400	40	90
TW SAN 100	106-116	100	330	220	400	40	90
TW SAN 110	116-129	100	330	220	400	40	90
TW SAN 125	144-154	125	330	220	400	40	90
TW SAN 140	154-186	140	330	220	400	40	90
TW SAN 160	186-200	150	342	265	400	40	120

* upon order it is possible to extend up to 1,500 mm