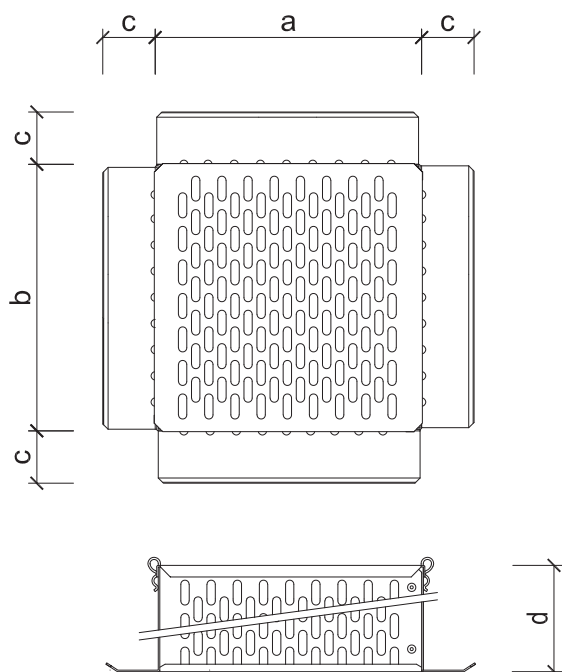


TOPWET TWS and TWS C aluminium shaft

BASIC INFORMATION

| | |
|---------------|--|
| purpose | protection of roof outlets, refurbishment outlets, attachments and gutter spouts against inbreak of aggregate on roofs with an additional loading layer of shingle |
| Material | aluminium 1.5 mm thick |
| load category | K3 – 300 kg |
| certification | EN 1253-2:2015 - Gullies for buildings - Part 2: Roof drains and floor gullies without trap |
| manufacturer | TOPWET s.r.o., náměstí Viléma Mrštíka 62, 664 81 Ostrovačice, Czech Republic |

TECHNICAL PARAMETERS



Aluminium shafts for roofs with shingle

| Type | Dimensions [mm] | | | |
|----------------------------|-----------------|-----|----|-----|
| | a | b | c | d |
| TWS 250x250x100 | 255 | 255 | 50 | 100 |
| TWS 250x250x200 | 255 | 255 | 50 | 200 |
| TWS 250x250x100 + TWSK | 255 | 255 | 50 | 102 |
| TWS 250x250x200 + TWSK | 255 | 255 | 50 | 202 |
| TWS C 250x150x100 | 253 | 153 | 50 | 100 |
| TWS C 250x150x200 | 253 | 153 | 50 | 200 |
| TWS C 250x150x100 + TWSK C | 253 | 153 | 50 | 102 |
| TWS C 250x150x200 + TWSK C | 253 | 153 | 50 | 202 |