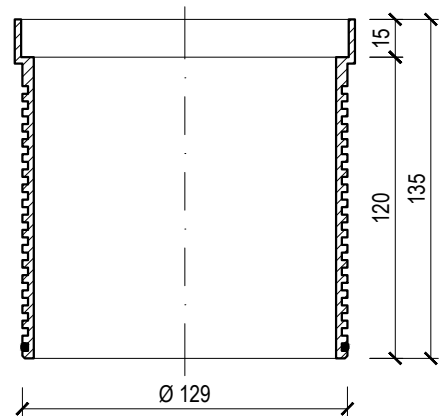


THE TERRACED ATTACHMENT CAN BE - IF NECESSARY - SHORTENED AT WILL BY CUTTING IN THE GROOVE, OR IT CAN BE EXTENDED ALWAYS BY 120 mm USING THE EXTENSION ATTACHMENT TWN TER



Name	TERRACE ATTACHMENT FOR BALCONY OUTLETS		
Type	TW TER	Weight	0,51 kg
Code	212910100	Material	POLYAMIDE
Scale	1:3		